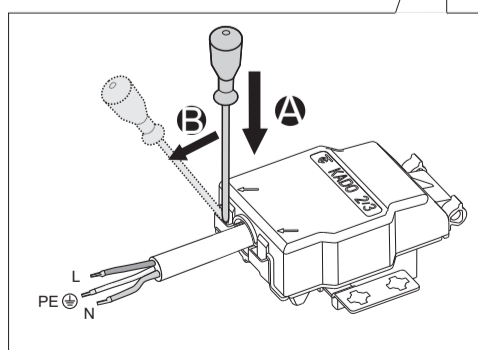


220 - 240 V 50/60 Hz



L = brown; PE= green-yellow; N=blue

